

# TS-SZM-478

145x210mm


24P

# 双面骑马订

# 注意偏差与清晰度


2020.05.12

User Manual




**TOSAN**  
PROFESSIONAL TOOLS


Think & Build  
Professionalism



**PO760IW**  
1/2" Drive - 760 Nm




**PO780IW**  
1/2" Drive - 780 Nm



**PO980IW**  
1/2" Drive - 980 Nm

IMPACT WRENCHES

دفترچه  
راه‌نما



TOSAN TOOLS CO.  
No. 11333333333333  
11333333333333  
P.O. Box 11333333333333  
www.tosan.com

Table of contents	
Title	Page
How to use manual	1
Tools general safety points	1
User safety	1
Work place safety	1
How to use machine correctly and working condition safety	2
Technical specification	3
Machine parts	4
Before start	7
Operating machine	8
Machine performance	8
Carrying	8
Warehouse storage, different season, recycle	9

### 1 How to use manual

**How to use manual**  
The purpose of publishing the manual is to let the user have fine understanding of how to work with the machine, keep observe the safety points and how to keep storage and recycling points. Recommendation to read carefully this manual before get start working and keep using during working process with machine. In case of need information of after sales services and maintenance, check and read the guaranty card.

**General safety points**  
- meaning of machine or tools in this manual, is only air tools.  
- read carefully all the cautions, warning and instruction which indicate in this manual and keep observing all the time.

**Personal safety**  
- before get start using the machine, become sure about you have full skilled and ability to work with the tool and always wear safety ear protection and goggles and keep working with high attention.  
- working with the tools and machine which has high vibration, will cause of accident or injury to the user hands.  
- before put away the machine, become sure about the machine is TURNED OFF and keep in safe place. Mount the equipment and accessories correctly on machine and become sure about their operation is correctly.

**Working place safety**  
- enough brightness could be help for avoiding any accident or happening emergency cases.  
- avoid to put the machine and tools beside the flammable gases or any liquids, also dust and sands.

### 2 How to use machine correctly and working condition safety

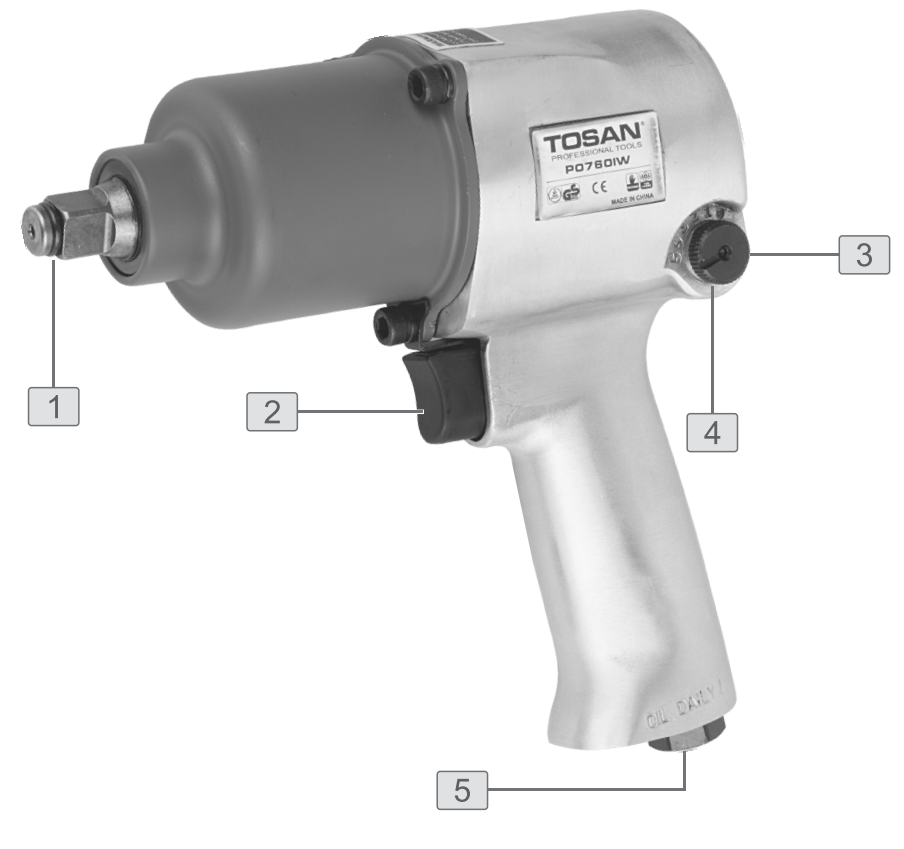
**Machine operation and working safety**  
- based on standard specification on tool and machine, avoid to work in not standard operation and do not put high pressure on machine and always use suitable machine refer to your requirement and inquiry. Any kind of machine or tool, has a specific standard for operation and cannot use in multiply working condition or purposes. Always remember, any tools or machine designed for a specific and recommended purpose.  
- because of sensitive and high accuracy produced inner parts and components, avoid the machine or tool from any falling or drop.  
- never get use hand sockets on this machine, as it will cause of breakage problem in case of any kind of sockets except the special standard impact sockets, will be also cause of injury to the user. Always keep using impact sockets on the machine.  
- long life and durability of machine and tools, depends on how to follow and keep observe the operating instruction and safety terms.  
- in case of happening, air interruption, reduction on impacting power, vibration or noises, ... firstly turned OFF the machine and tool and refer to the official after sales services centers.  
- in the situation when the machine damaged because of not proper transportation or carrying, and bad usage of machine, do not operate the machine and tools until get fixed.  
- any kind of non-standard change on inner components, will cause of reduce in operation of machine and injury to the user.  
- in case of need any spare parts or inner components, only use standard and recommended spare parts, using original parts will guaranty the machine durability and long life time of working.

### 3 Technical specification

Model	PO760IW	PO780IW	PO980IW
Max torque	760 Nm	780 Nm	980 Nm
Air flow rate	10.8 l/s	8 l/s	8 l/s
Max air pressure	90 psi-6.3 bar	90 psi-6.3 bar	90 psi-6.3 bar
Drive (inch)	1/2	1/2	1/2
Hose connection	3.8-10mm	3.8-10mm	3.8-10mm
Air inlet type (inch)	1/4	1/4	1/4
Weight	2.35 kg	2.75 kg	2.65 kg

### 4 Machine parts

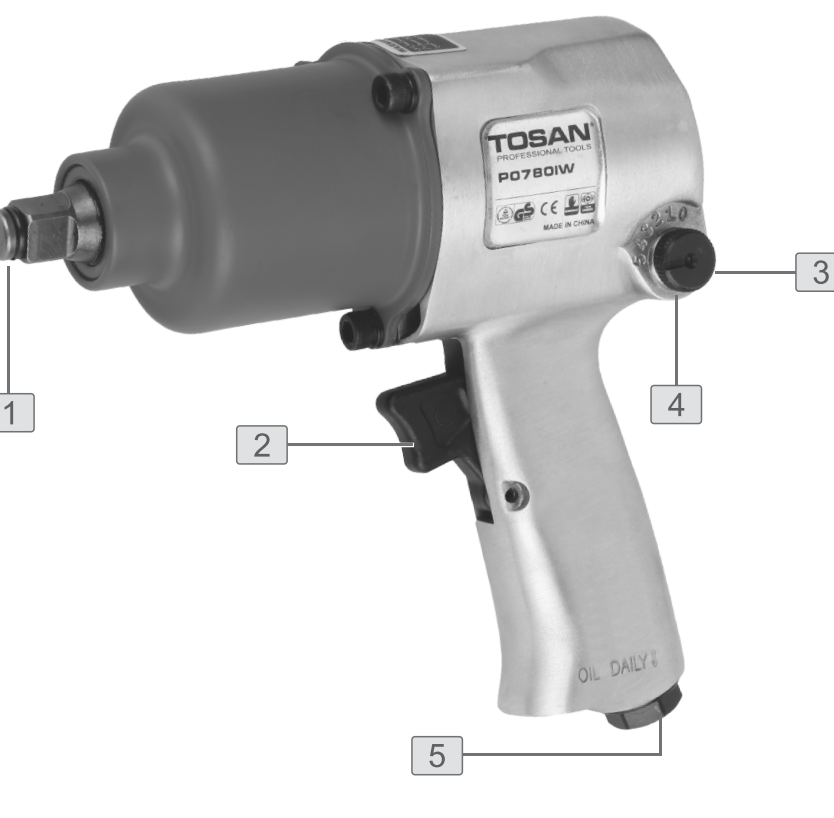
**PO760IW**



1- drive adaptor  
2- trigger  
3- torque adjust knob  
4- rotation change knob  
5- air inlet

### 5 Machine parts

**PO780IW**



1- drive adaptor  
2- trigger  
3- torque adjust knob  
4- rotation change knob  
5- air inlet

### 6 Machine parts

**PO980IW**



1- drive adaptor  
2- trigger  
3- torque adjust knob  
4- rotation change knob  
5- air inlet

### 7 Before start

**Drive adaptor**  
This part of machine designed to mount the socket on it. Size of this adaptor is 1/2 inch.

**Trigger**  
This switch designed to ON/OFF the rotation of machine.

**Torque adjust knob (impact power)**  
Torque adjustable knob, to adjust on different machine, are as below:

**Change rotation knob**  
In order to release or fasten the nut and bolt, use the change rotation knob to left / right as following pictures.

### 8 Operating machine

**Operation**  
- after socket mounted on machine drive adaptor, then connect the air hose to the machine and push the trigger to let the machine running.  
- attention this machine need to use oil and lubrication every day in case on continuously working condition.  
- the proper oil to be used is (grade 10)

**How to use machine**  
- this machine designed to release or fasten the different sizes of nut and bolt. So hold the machine firmly in your hands and mount the impact socket on machine drive adaptor, then press the trigger and let the machine release or fasten the nut or bolt.  
- this machine has high torque, so be careful to avoid any hit or damage to the bolt or nut.

**Carrying**  
- in case of moving or carrying the machine, disconnect the machine from air hose and recommended to keep the box or carton and carrying by the package.

### 9 Warehouse storage, different season, recycle

**Warehouse storage / different seasons / recycle**  
- always keep clean the machine and tool from any oil, grease or dust, specially the slots, never use the corrosive liquid to clean the machine, as it will cause of damages to the parts. Always use clean napkin to clear the dust and oil from the machine.  
- in order to store the machine in warehouse, always keep machine pack with carton and keep in dry place where these no rain, snow or wet weather. In case of not using for 6 months, then to use again, call please refer to official after sales services for maintaining.  
- always divide the air tools from other accessories and equipment when it recycling.  
- air tools and machine, even after passing life time, still they have valuable components inside which can be re-produce again.

### 10 Warehouse storage, different season, recycle

**Warehouse storage / different seasons / recycle**  
- always keep clean the machine and tool from any oil, grease or dust, specially the slots, never use the corrosive liquid to clean the machine, as it will cause of damages to the parts. Always use clean napkin to clear the dust and oil from the machine.  
- in order to store the machine in warehouse, always keep machine pack with carton and keep in dry place where these no rain, snow or wet weather. In case of not using for 6 months, then to use again, call please refer to official after sales services for maintaining.  
- always divide the air tools from other accessories and equipment when it recycling.  
- air tools and machine, even after passing life time, still they have valuable components inside which can be re-produce again.

### 11 Warehouse storage, different season, recycle

**Warehouse storage / different seasons / recycle**  
- always keep clean the machine and tool from any oil, grease or dust, specially the slots, never use the corrosive liquid to clean the machine, as it will cause of damages to the parts. Always use clean napkin to clear the dust and oil from the machine.  
- in order to store the machine in warehouse, always keep machine pack with carton and keep in dry place where these no rain, snow or wet weather. In case of not using for 6 months, then to use again, call please refer to official after sales services for maintaining.  
- always divide the air tools from other accessories and equipment when it recycling.  
- air tools and machine, even after passing life time, still they have valuable components inside which can be re-produce again.

### 12 Warehouse storage, different season, recycle

**Warehouse storage / different seasons / recycle**  
- always keep clean the machine and tool from any oil, grease or dust, specially the slots, never use the corrosive liquid to clean the machine, as it will cause of damages to the parts. Always use clean napkin to clear the dust and oil from the machine.  
- in order to store the machine in warehouse, always keep machine pack with carton and keep in dry place where these no rain, snow or wet weather. In case of not using for 6 months, then to use again, call please refer to official after sales services for maintaining.  
- always divide the air tools from other accessories and equipment when it recycling.  
- air tools and machine, even after passing life time, still they have valuable components inside which can be re-produce again.

### 13 Machine parts

**PO980IW**



1- drive adaptor  
2- trigger  
3- torque adjust knob  
4- rotation change knob  
5- air inlet

### 14 Machine parts

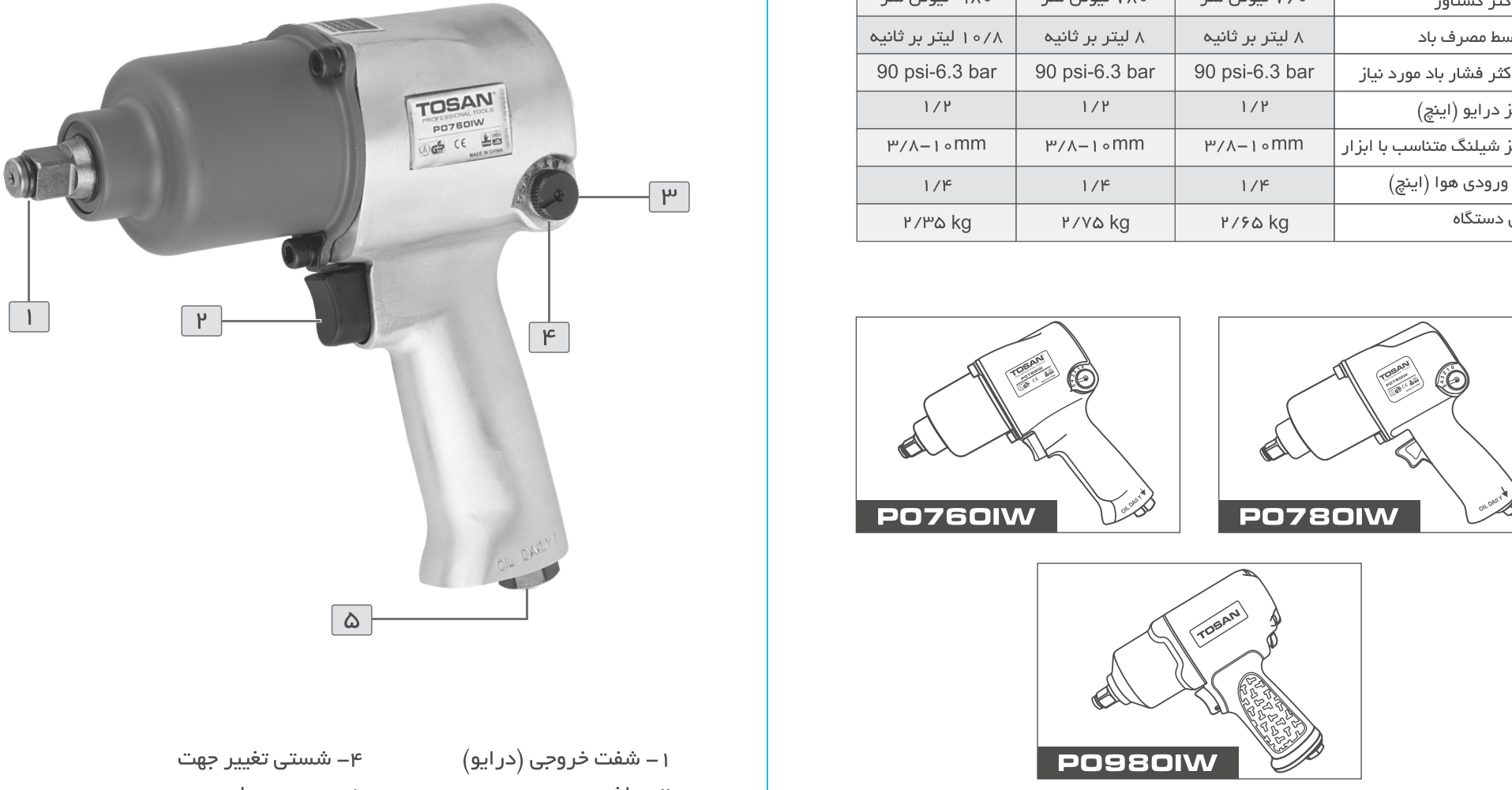
**PO780IW**



1- drive adaptor  
2- trigger  
3- torque adjust knob  
4- rotation change knob  
5- air inlet

### 15 جدول فنی

مدل	PO980IW	PO780IW	PO760IW
مدل کاتالیگ	۷۸۰	۷۸۰	۷۸۰
ظرفیت مخزن باد	۸ لیتر	۸ لیتر	۸ لیتر
حداکثر فشار باد مورد نیاز	90 psi-6.3 bar	90 psi-6.3 bar	90 psi-6.3 bar
سایز هیلک مناسب با ابزار	۳/۸-۱۰MM	۳/۸-۱۰MM	۳/۸-۱۰MM
وزن ورودی هوا (پنج)	۲/۷۵ kg	۲/۷۵ kg	۲/۷۵ kg



### 16 Warehouse storage, different season, recycle

**Warehouse storage / different seasons / recycle**  
- always keep clean the machine and tool from any oil, grease or dust, specially the slots, never use the corrosive liquid to clean the machine, as it will cause of damages to the parts. Always use clean napkin to clear the dust and oil from the machine.  
- in order to store the machine in warehouse, always keep machine pack with carton and keep in dry place where these no rain, snow or wet weather. In case of not using for 6 months, then to use again, call please refer to official after sales services for maintaining.  
- always divide the air tools from other accessories and equipment when it recycling.  
- air tools and machine, even after passing life time, still they have valuable components inside which can be re-produce again.

### 17 Warehouse storage, different season, recycle

**Warehouse storage / different seasons / recycle**  
- always keep clean the machine and tool from any oil, grease or dust, specially the slots, never use the corrosive liquid to clean the machine, as it will cause of damages to the parts. Always use clean napkin to clear the dust and oil from the machine.  
- in order to store the machine in warehouse, always keep machine pack with carton and keep in dry place where these no rain, snow or wet weather. In case of not using for 6 months, then to use again, call please refer to official after sales services for maintaining.  
- always divide the air tools from other accessories and equipment when it recycling.  
- air tools and machine, even after passing life time, still they have valuable components inside which can be re-produce again.